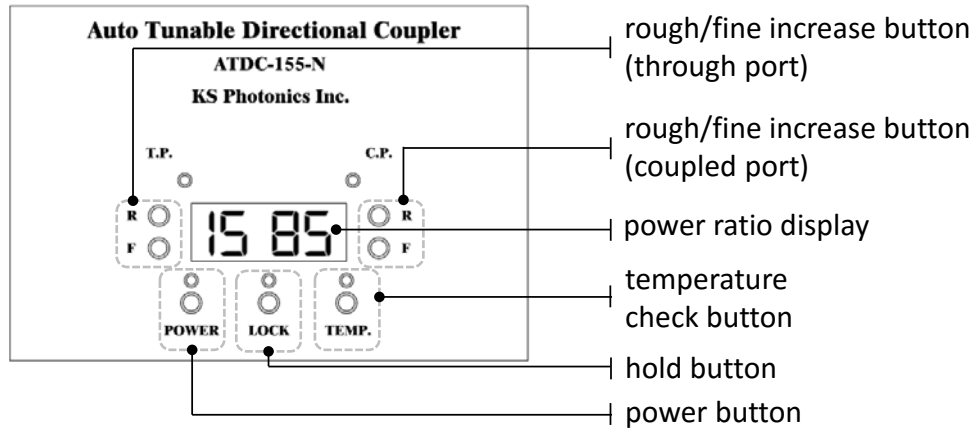


General description

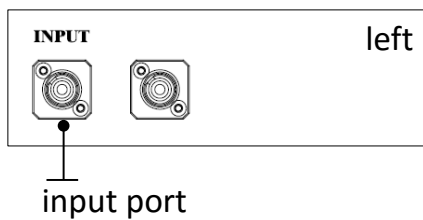
Auto Tunable Directional Coupler (ATDC) provides the entire tuning range of 0 – 100 % coupling ratio with electronic control.

Configuration

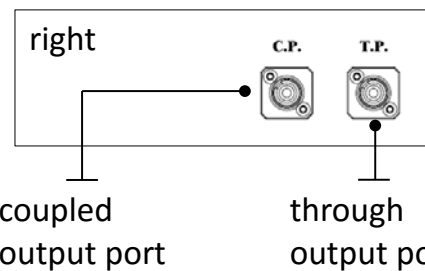
Top view



Side view



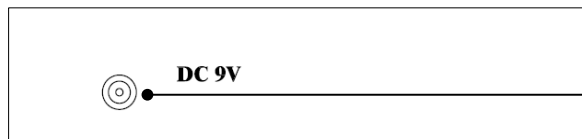
input port



coupled output port

through output port

Rear view



input voltage connector

Input/output port: Fiber connector adaptor. (Customer specified FC/PC, FC/APC, etc.)

Input voltage: 9V DC

Dimension: 55 mm (H) X 185 mm (W) X 110 mm (D)

Operation

Press the power button.

Connect the light source to the input port.

Coupling ratio is adjusted by pressing the R (rough tuning)/F (fine tuning) buttons on the T.P. or C.P. side.

The temperature inside the device can be checked by pressing the temperature button. (Celsius)

If you don't want to activate controls accidentally, press the Lock button.

Coupling ratio and extinction ratio can vary at different temperatures.

Specifications

Insertion loss (dB)	< 0.7
Tuning range of coupling (%)	0 - 100
Operation wavelength (nm)	Specified by customer (633, 830, 980, 1064, 1550)

Product code

ATDC - ① - ②

① Operating wavelength

063: 633 nm
083: 830 nm
098: 980 nm
106: 1060 nm
155: 1550 nm

② Connectors

FA: FC/APC
FP: FC/PC
FU: FC/UPC
FS: FC/SC

Warranty

KS Photonics provides 1-year warranty. However, any damages caused by customer's fault will not be covered by the warranty.

Note

Do not disassemble the device. You will not have our warranty policy if anti-disassembling seal is damaged.